

# SENTRY COBRA FV SAMPLER

## Low Emission Samplers

### MANUAL SAMPLING

The Sentry® Cobra FV sampler allows an operator to safely and efficiently collect a fixed volume of high-pressure liquids. The Cobra FV sampler is specifically designed to ensure a high quality fixed volume sample through the simplest and most reliable process possible. The sample valve allows each sample to be extracted quickly and easily while simultaneously purging the assembly with nitrogen, thus ensuring the cleanest possible sample is taken. The sampler can also be adapted to facilitate automatic sample extractions or composite samples.

### MODEL

Cobra FV

### BENEFITS

The Cobra FV sampler offers the greatest level of reliability and ease of use. Each unit uses the Cobra-designed sampling valve, facilitating easy regulation by ensuring sufficient time for air and other gases to be expelled. A variety of accessories are available—from needle purge to cooling coils—so that the sampler can be customized to suit the specific requirements of the application.

### FEATURES

- Provides a low-emission, representative sample
- Compliant with all EPA and LDAR requirements
- Fixed volume chamber allows safe sampling of high-pressure liquids
- Cobra flow-through valve allows constant representative process flow, allowing immediate sampling
- Easy to operate and safe for the environment
- Step-by-step instruction tag and valve labels for simple operation
- Side connections are labeled for ease of installation
- Standard units come with our unique coaxial needle system which prevents bent and broken needles
- Optional disposable captured vent canister available
- Process sampling of low vapor pressure liquids (<18 psiA) and high process pressure (>140 psi)



## DASTEC S.R.L.

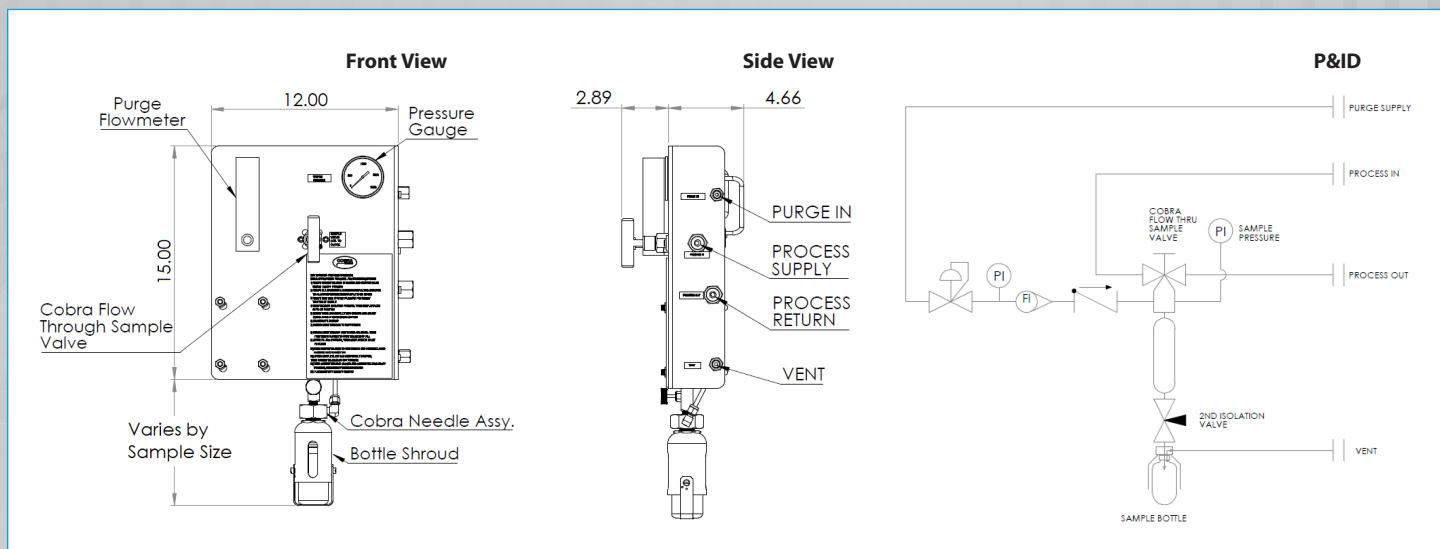
Representantes / Distribuidores Exclusivos  
Buenos Aires, Argentina  
Tel.: (54 - 11) 5352-2500  
Email: [info@dastecsr.com.ar](mailto:info@dastecsr.com.ar)  
Web: [www.dastecsr.com.ar](http://www.dastecsr.com.ar)

## DASTEC S.R.L.

Representantes / Distribuidores Exclusivos  
Argentina  
Tel: (+54 11) 5352 2500  
Email: [info@dastecsr.com.ar](mailto:info@dastecsr.com.ar)  
Web: [www.dastecsr.com.ar](http://www.dastecsr.com.ar)



Sample. Monitor. Measure.  
**SENTRY**  
Any Application. Anywhere.



## SPECIFICATIONS

wetted materials	body: 316 stainless steel (other materials available upon request) O-rings: Viton® or Kalrez®
bottle shroud	Delrin® or stainless steel
process pressure range	0-1800 psi
process temperature	<140°F; cooler required for temps >140°F
sampler interface	1/2 in NPT (1/4 in NPT or compression fitting available upon request)
vent connection	1/4 in NPT (compression fitting available upon request)
purge connection	1/4 in NPT (compression fitting available upon request)
bottle size	4 oz Boston round 8 oz Boston round 16 oz Boston round 32 oz Boston round
options	pipe stand (2 in); dual pipe stand for mounting cooler; enclosure process isolation valves (inlet and/or return) return to vent (flare; emission filter)

# DASTECSRL

Representantes / Distribuidores Exclusivos

Buenos Aires, Argentina  
Tel.: (54 - 11) 5352-2500  
Email: [info@dastecsrl.com.ar](mailto:info@dastecsrl.com.ar)  
Web: [www.dastecsrl.com.ar](http://www.dastecsrl.com.ar)

[sentry-equip.com](http://sentry-equip.com)

966 Blue Ribbon Circle North, Oconomowoc, WI 53066 U.S.A. | +1-262-567-7256 | [sales@sentry-equip.com](mailto:sales@sentry-equip.com)

© 2018 Sentry Equipment Corp. All rights reserved. Sentry is a registered trademark of Sentry Equipment Corp. All product and company names are property of their respective owners. It is solely the responsibility of end users, through their own testing and analysis, to select products and materials suitable for their specific application requirements, ensure they are properly installed, safely applied and properly maintained, and to limit their use to their intended purpose. Improper selection, installation or use may result in personal injury or property damage.

S-MS-SPS-00521-0 05-18



COMPANY WITH  
QUALITY SYSTEM  
CERTIFIED BY DNV GL  
= ISO 9001 =